

वैज्ञानिक तथा औद्योगिक अनुसंधान परिषद्
Council of Scientific & Industrial Research
राष्ट्रीय वांतरिक्ष प्रयोगशालाएं
National Aerospace Laboratories



CSIR - NAL Estd. 1959
ISO 9001 : 2015
Certified Organization

INVITATION FOR BIDS/NIT

Tender No. NAL/PUR/MSD/652/19-Y

Dated: 27-May-2020

CSIR- National Aerospace Laboratories (NAL), Bengaluru, India is one of the premier laboratories under Council of Scientific and Industrial Research (CSIR), an autonomous body under Department of Scientific and Industrial Research, Government of India, New Delhi. CSIR-NAL is a Science and Knowledge based Research, Development and Consulting Organization. It is internationally known for its excellence in Scientific Research in Aerospace Engineering.

The Director, CSIR-NAL invites online quotation for procurement of the following item(s) for day to day research work.

| Sl.No. | Description of Items | Unit | Quantity |
|--------|---|------|----------|
| 1 | Supply, installation and commissioning of insulation baffle (after burner) assembly (CNAL 1234) suitable for high temperature (1400 deg C) chemical environment (HCL vapour, reactants such as methyltrichlorosilane, ammonia, BCl3, hydrogen, methane etc). Please refer Annexure for detailed specification. | Set | 1 |

| | |
|-----------------------------|--|
| Single / Double Bid | Single |
| Bid Security (EMD) (in INR) | Bid Security Declaration should be enclosed with quotation |
| Performance Security | Nil |

01. Tender Documents may be downloaded from Central Public Procurement Portal <https://www.etenders.gov.in>. Aspiring Bidders who have not enrolled/ registered in e- procurement should enroll/ register before participating through the website <https://www.etenders.gov.in>. The portal enrolment is free of cost. Bidders are advised to go through instructions provided at 'Instructions for online Bid Submission'.
02. Tenderers can access tender documents on the website (For searching in the NIC site <https://www.etenders.gov.in>, kindly go to Tender Search option, select tender type and select ' Council of Scientific and Industrial Research' in organization tab and select NAL-Bengaluru-CSIR in department type Thereafter, Click on "Search" button to view all CSIR-NAL, Bengaluru tenders). Select the appropriate tender and fill them with all relevant information and submit the completed tender document online on the website <https://www.etenders.gov.in> as per the schedule given in the next page.
03. Either the Indian Agent on behalf of the Foreign principal or the Foreign principal can bid directly in a tender but not both. However, the offer of the Indian Agent should also accompany the authorization letter from their principal. To maintain sanctity of tendering system, one Indian Agent cannot represent two different Foreign principals in one tender.
04. Unsolicited / conditional / unsigned tenders (Quotations) shall not be considered. Quotations received after the due date and time shall be summarily rejected.
05. The Bidder shall comply the terms and conditions of the tender, failing which, the offer shall be liable for rejection.
06. The Director, CSIR- National Aerospace Laboratories., Bengaluru reserves the right to accept any or all the tenders either in part or in full or to split the order without assigning any reasons there for.


Raman Kumar
(Section Officer S&P)

पी बी सं. 1779, एचएएल एयरपोर्ट रोड , कोडिहल्ली, बेंगलुरु - 560 017, भारत,
P B No 1779, HAL Airport Road, Kodihalli, Bengaluru - 560 017, INDIA
फोन / Phone : (का./ Off) : +91 - 80 - 2508 6040 - 45, फैक्स / FAX : +91-80-2526 9611



<http://www.nal.res.in>



purchasek@nal.res.in



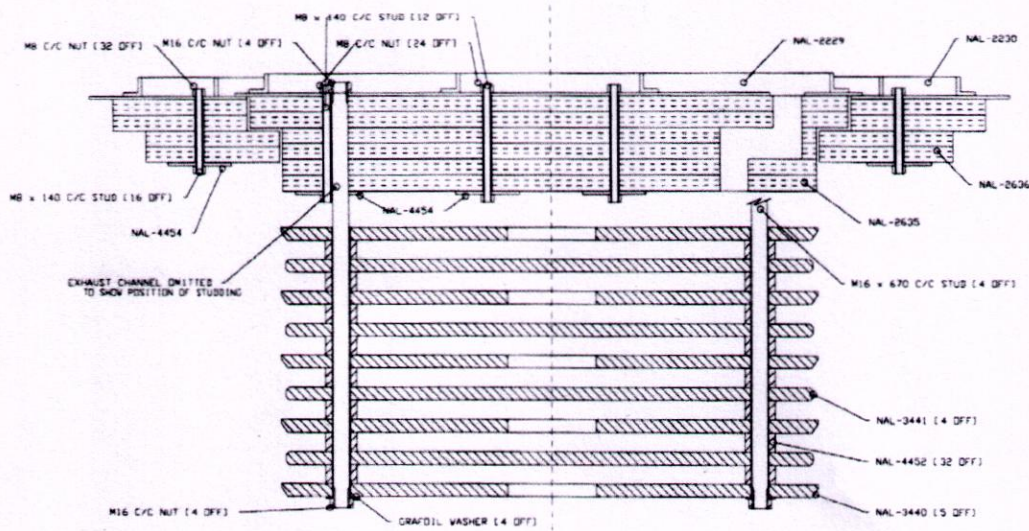
SCHEDULE CUM CRITICAL DATE SHEET

| | | | |
|----|---|---|----------|
| 1 | Name of Organization | CSIR-National Aerospace Laboratories, Bengaluru | |
| 2 | Tender Reference No | NAL/PUR/MSD/652/19-Y dated: 28-May-2020 | |
| 3 | Tender Type (Open/Limited/EOI/Auction/Single) | Open | |
| 4 | Type/Form of Contract (Work / Supply / Auction / Service / Buy / Empanelment / Sell) | Supply | |
| 5 | No of Covers (One/Two/Three/Four) | One | |
| 6 | Tender Category (Services/Good/Works) | Goods | |
| 7 | Allow Resubmission (Only in online mode within scheduled period) | Yes | |
| 8 | Allow Withdrawal (Only in online mode within scheduled period) | Yes | |
| 9 | Allow Offline Submission | No | |
| 10 | Work Item Title | Supply, installation and commissioning of insulation baffle (after burner) assembly (CNAL 1234), etc. | |
| 11 | Work Description | Supply, installation and commissioning of insulation baffle (after burner) assembly (CNAL 1234), etc. | |
| 12 | Delivery Schedule | 90 days from the date of purchase order | |
| 13 | Product Category (Civil Works / Electrical Works / Fleet Management / Computer Systems) | R & D Equipment | |
| 14 | Is Multi Currency Allowed | Yes | |
| 15 | a) Tender Publishing Date - | 28-May-2020 | 1800 Hrs |
| | b) Document Download Start Date- | 28-May-2020 | 1800 Hrs |
| | c) Bid Submission Start Date- | 28-May-2020 | 1800Hrs |
| | d) Bid Submission End Date- | 11-June-2020 | 1000 Hrs |
| | e) Bid Opening Date- | 12-June-2020 | 1100 Hrs |
| 16 | Bid Validity Days | 90 days | |
| 17 | Address for communication | Stores and Purchase Officer CSIR-National Aerospace Laboratories, HAL Airport Road, Kodihalli, Bengaluru - 560017 | |
| 18 | Inviting Officer | Director, CSIR-NAL | |
| 19 | Contact No | 25086040, 25086041 | |
| 20 | E-mail Address | purchasek@nal.res.in | |
| 21 | Detailed specification of item | Refer Invitation for bids / NIT | |
| 22 | Tender Terms & Conditions & Instruction for online bid submission | The prospective bidders are requested to refer to the Standard Tender Document available on NAL Internet (www.nal.res.in) under the icon Tender-Purchase before formulating and submitting their bids | |

1. Supply of rigid carbon felt coated with grafoil on one face for high temperature (1600°C) insulation application as per the following drawings
 - i. Drawing No: CNAL 2635-Quantity 1 no
 - ii. Drawing No CNAL 3440 – Quantity 5 Nos.
 - iii. Drawing No CNAL 3441 – Quantity 4 Nos.
2. Supply of high density (>1.89g/CC) graphite bush as per the following drawing
Drawing No CNAL 4452 – Quantity 32 No's
3. Supply of high density (>1.89g/CC) graphite spacer as per the following drawing
Drawing No . CNAL 4454 – Quantity 32 No's

Specification insulation board

- Density : 0.16 -0.20 g/cc,
- Compressive strength: 1-2 MPa
- Bending strength: 1.5 -2.5 MPa
- Co-efficient of thermal expansion : 3 plus or minus 0.3 x10-6 per Celsius,
- Carbon content: 99.6%,
- Thermal conductivity : 0.3-0.5 W/mK

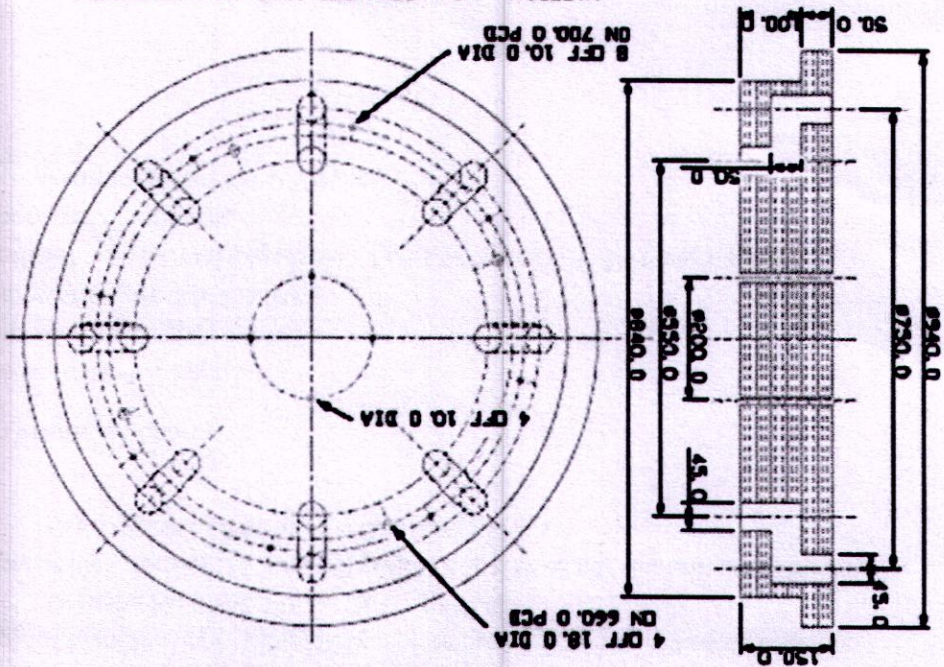


NB: Except CNAL 2635, CNAL 3440, CNAL 3441, CNAL 4452, and CNAL 4454, other items required for assembly will be provided by CSIR-NAL

(Handwritten signature)

[Handwritten signature]

MATERIAL: 3 * 50MM STD CONC CALCARB BOARDS
CEMENTED & CVB CALCATED

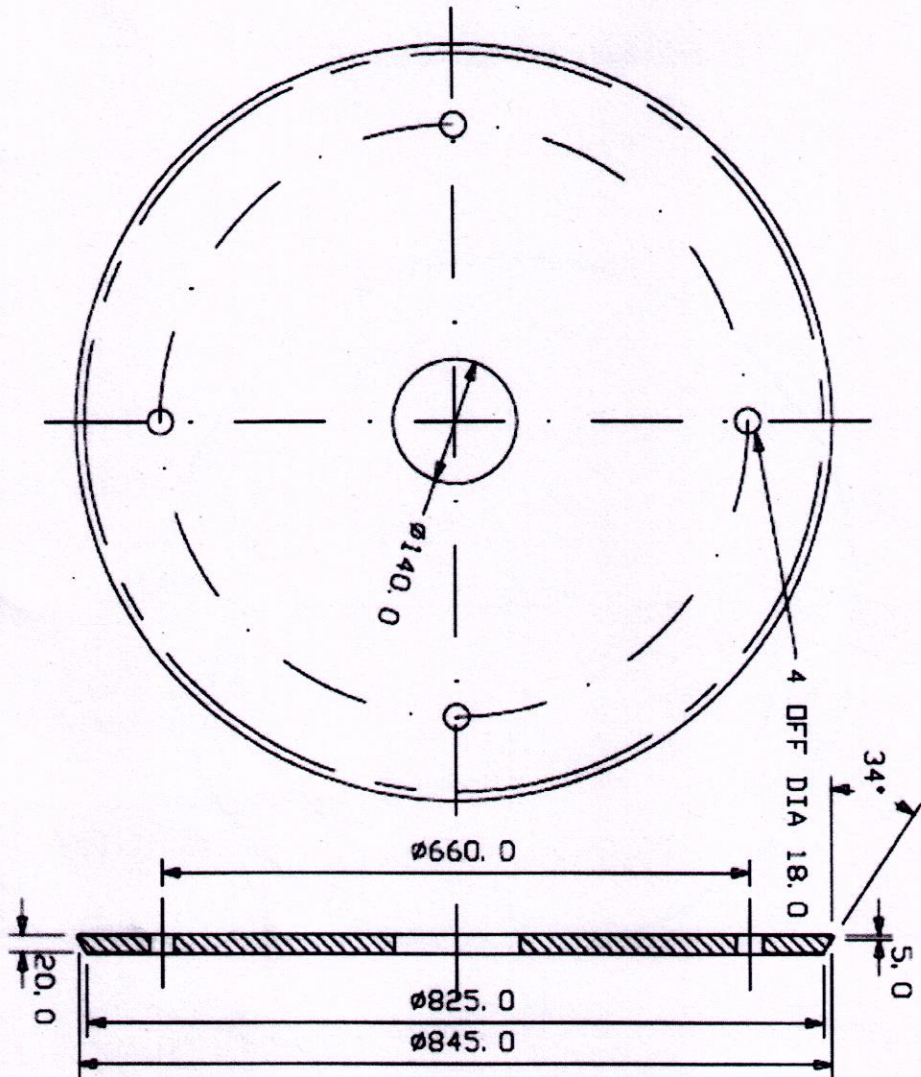


CNAL-2635 : Quantity : 1 no

NAL/PUR/MSD/652/19-Y

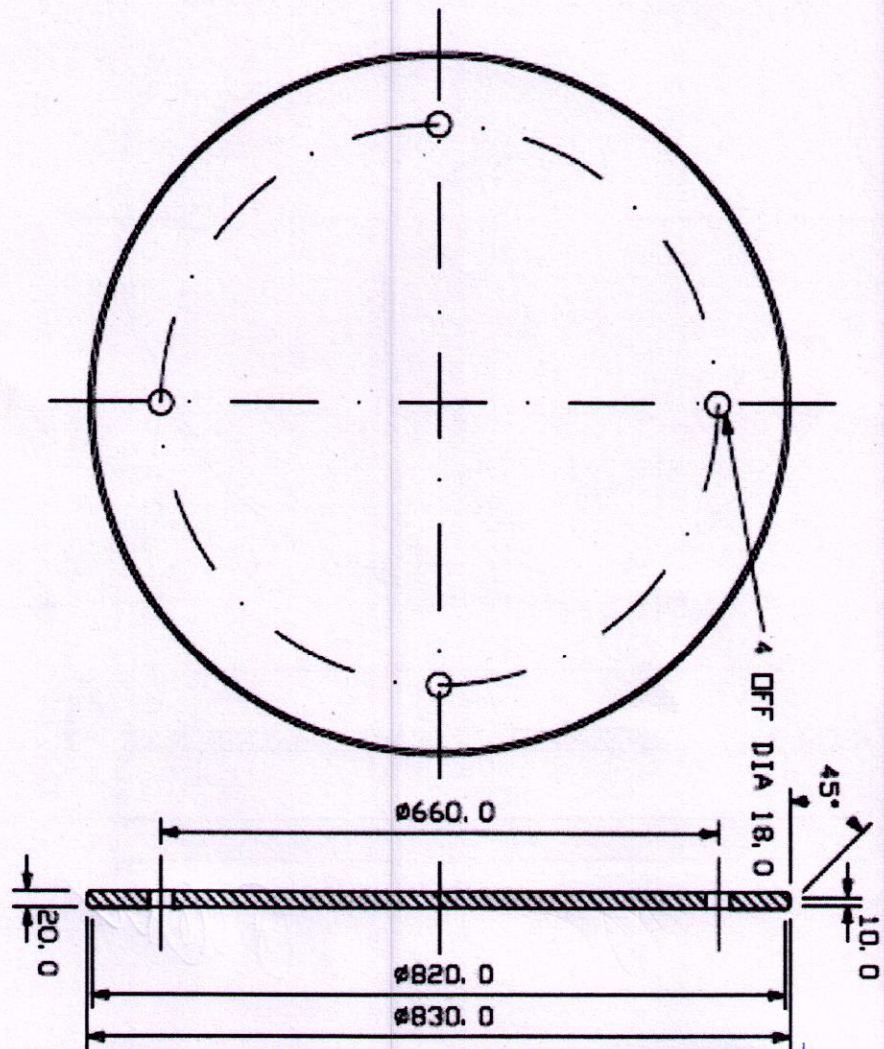
Annexure

CNAL-3440: Quantity – 5nos.

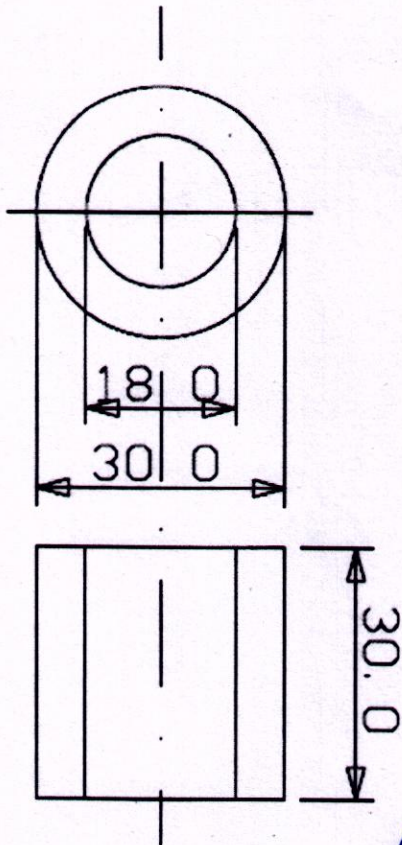


[Handwritten signature]

CNAL-3441: Quantity - 4 nos.



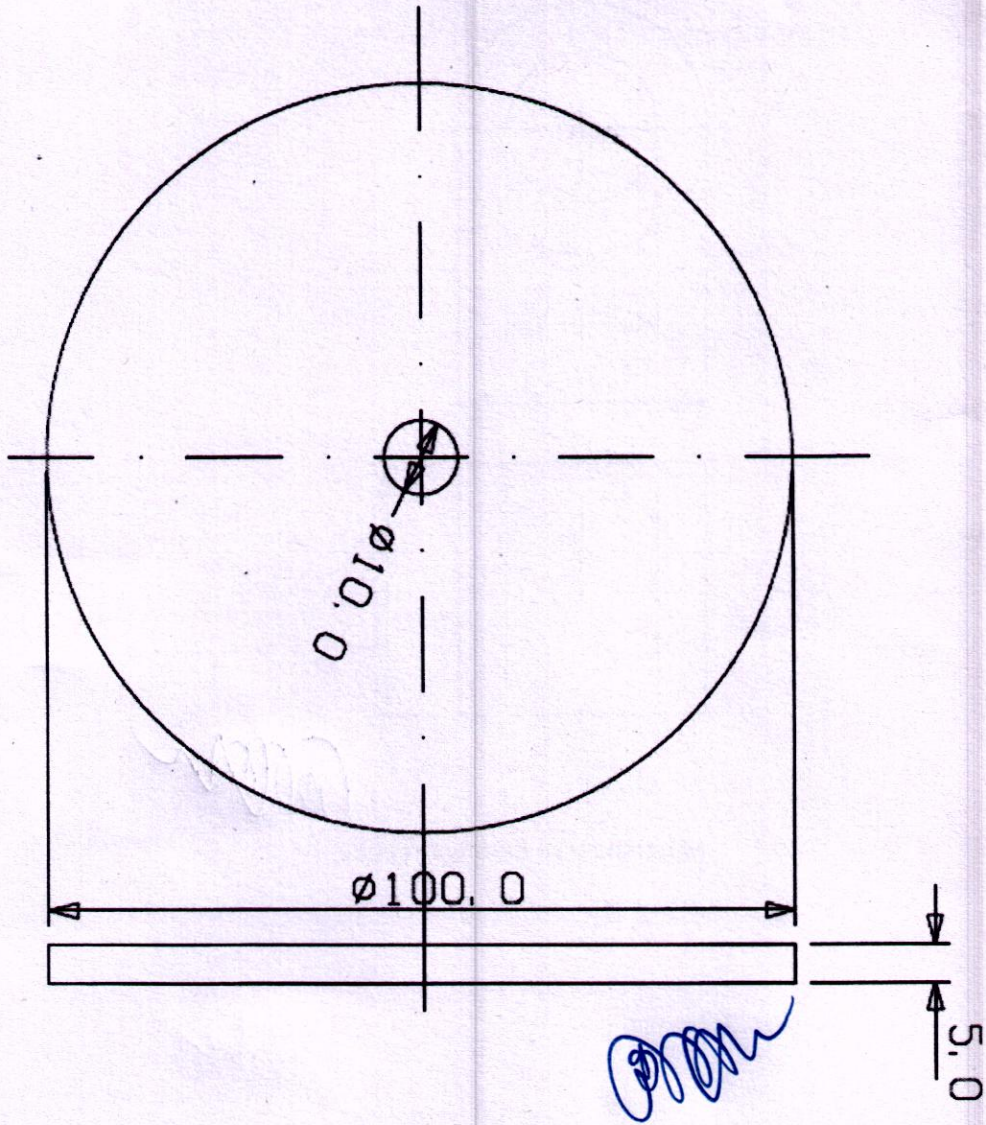
CNAL-4452: Quantity : 32nos.



[Handwritten signature]

Material : High density Graphite

CNAL-4454: Quantity - 32 nos.



Material : High density Graphite

Bid-Securing Declaration Form

Date: _____

Bid No. _____

To (insert complete name and address of the purchaser) I/We.

The undersigned, declare that:

I/We understand that, according to your conditions, bids must be supported by a Bid Securing Declaration.

I/We accept that I/We may be disqualified from bidding for any contract with you for a period of one year from the date of notification if I am /We are in a breach of any obligation under the bid conditions, because I/We

| | |
|----|--|
| a) | have withdrawn/modified/amended, impairs or derogates from the tender, my/our Bid during the period of bid validity specified in the form of Bid; or |
| b) | Having been notified of the acceptance of our Bid by the purchaser during the period of bid validity I. fail or reuse to execute the contract, if required, or II. fail or refuse to furnish the Performance Security, in accordance with the Instructions to Bidders. |

I/We understand this Bid Securing Declaration shall cease to be valid if I am/we are not the successful Bidder, upon the earlier of (i) the receipt of your notification of the name of the successful Bidder; or (ii) thirty days after the expiration of the validity of my/our Bid.

Signed: (insert signature of person whose name and capacity are shown) in the capacity of (insert legal capacity of person signing the Bid Securing Declaration).

Name: (insert complete name of person signing the Bid Securing Declaration)

Duly authorized to sign the bid for an on behalf of : (insert complete name of Bidder) Dated

on _____ day of _____ (insert date of signing)

Corporate Seal (where appropriate)

Note:

- 1) In case of a Joint Venture, the Bid Securing Declaration must be in the name of all Partners to the Joint Venture that submits the bid)**
- 2) Bid Security declaration must be signed in by the Proprietor/CEO/MD or equivalent level of Officer of the company.**