



INVITATION FOR TENDERS

Tender No. NAL/PUR/KTMD/476/21-Y

Dated: 17/02/2022

CSIR - National Aerospace Laboratories (NAL), Bengaluru, Republic of India, is one of the premier research laboratories under aegis of Council of Scientific and Industrial Research (CSIR), an autonomous body under the Department of Scientific and Industrial Research, Government of India, New Delhi. CSIR-NAL is a Science and Knowledge based Research, Development and Consulting Organisation. It is internationally known for its excellence in Scientific Research in Aerospace Engineering.

The Director, CSIR-NAL invites online quotation for procurement of the following item(s) for day to day research work.

Sl. No.	Description of Item(s)	Unit	Quantity
1	HANSA-NG 1:30 scale down model with transparent canopy, seats and packaging. (Please refer annexure for drawings)	Nos	25

Single / Double Bid	Single	Tender Type	Limited
Bid Security (EMD) (in INR)	Bid Security Declaration should be enclosed with quotation	Bid submission end date	03-Mar-2022 10.00 Hrs
Performance Security	Nil	Bid opening date	04-Mar-2022 11.00 Hrs

01. Tender Documents may be downloaded from Central Public Procurement Portal <https://www.etenders.gov.in>. Aspiring Bidders' who have not registered in e-procurement can register free of cost before participating through the website <https://www.etenders.gov.in>. Bidders are advised to go through instructions provided at 'Instructions for Online Bid Submission'.
02. Tenderers can access tender documents on the website (for searching in the NIC site <https://www.etenders.gov.in>, kindly go to Tender Search option, select tender type and select 'Council of Scientific and Industrial Research', in organisation tab and select NAL-Bengaluru-CSIR in department type. Thereafter, Click on "Search" button to view all CSIR-NAL, Bengaluru tenders). Select the appropriate tender and fill them with all relevant information and submit the completed tender document online on the website <https://www.etenders.gov.in> as per the schedule given in the next page.






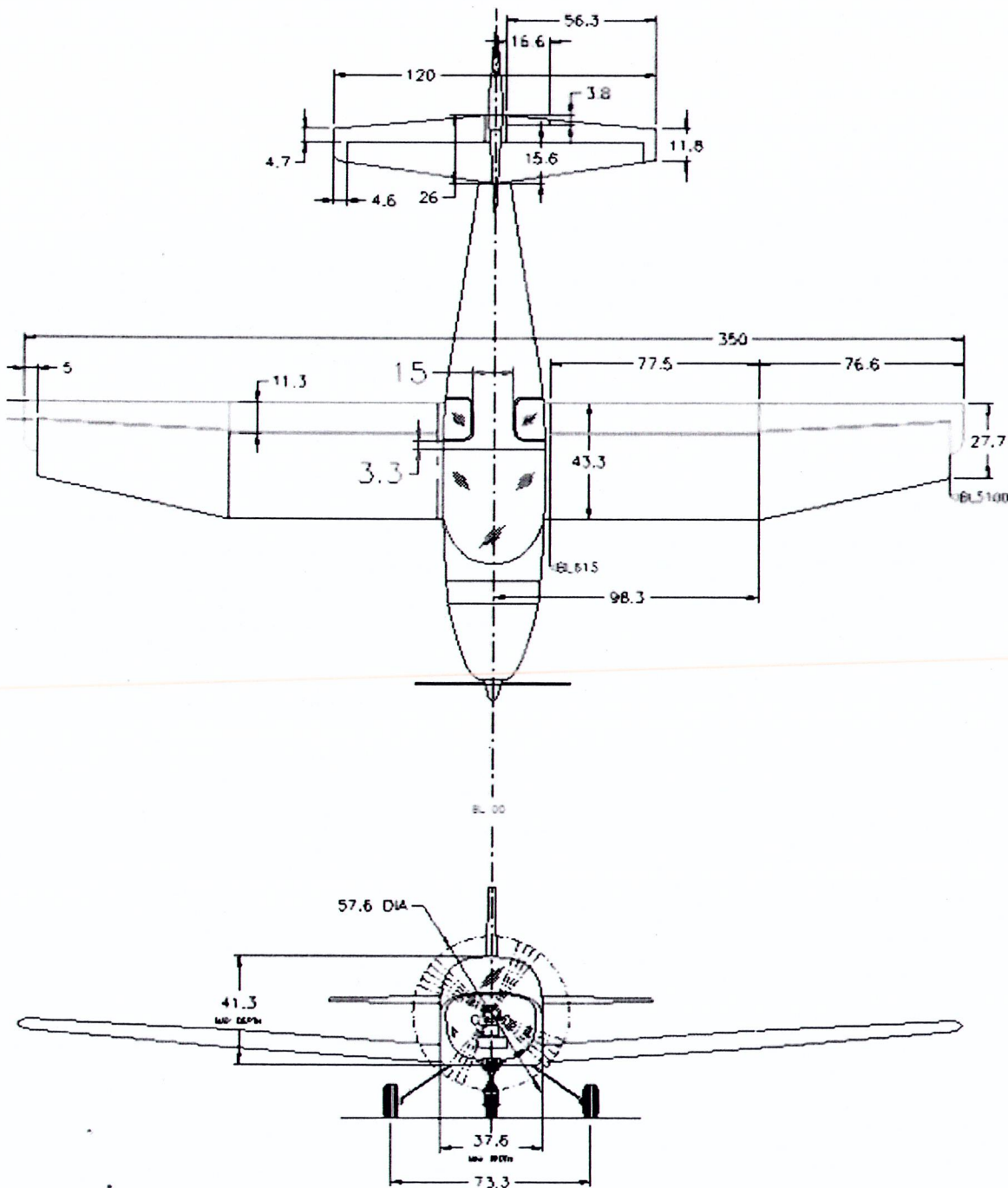
CSIR-National Aerospace Laboratories, Bengaluru-560 017, INDIA

03. Either the Indian Agent on behalf of the Foreign principal or the Foreign principal can bid directly in a tender but **not** both. However, the offer of the Indian Agent should also accompany the authorisation letter from their principal. To maintain sanctity of tendering system, one Indian Agent **cannot** represent two different Foreign principals in one tender.
04. Unsolicited / conditional / unsigned Quotations/Quotations received after the due date and time shall be summarily rejected. The Bidder shall comply the terms and conditions of the tender, failing which, the offer shall be liable for rejection.
05. The bids failing to comply with the following clauses will be summarily rejected.
 - a. The Bidders proposing to supply finished products directly/indirectly from vendors' of countries sharing the land border with India should submit A copy of registration done with DPIIT.
 - b. If the products supplied are not from vendors of countries sharing land border with India, the Bidders' have to enclose a declaration to that effect.
06. Bidders are requested to refer to the instructions regarding Procurement Policies for "Make in India", issued by Ministry of Commerce and Industry, Department of Industrial Policy and Promotion dated. 28-May-2018, and 4-Jun-2020 and guidelines as and when issued.
07. Kindly, note CSIR-NAL GST No. **29AAATC2716R1ZB**. And the bidders are requested to furnish their GST No. in their invoice failing which we will **not** be able to make timely payment.
08. The prospective bidders are requested to refer to the Standard Terms and Conditions available on NAL Internet (www.nal.res.in) under the icon Tender-Purchase before formulating and submitting their bids
09. The Director, CSIR- National Aerospace Laboratories, Bengaluru reserves the right to accept any or all the tenders either in part or in full or to split the order without assigning any reasons there for.
10. Participation in this tender is by invitation only and is limited to the selected bidders. Unsolicited offers are liable to be ignored. However, bidders who desire to participate in such tenders in future may bring it to the notice of Procuring Entity and apply for registration.

Thanking you,

Yours faithfully

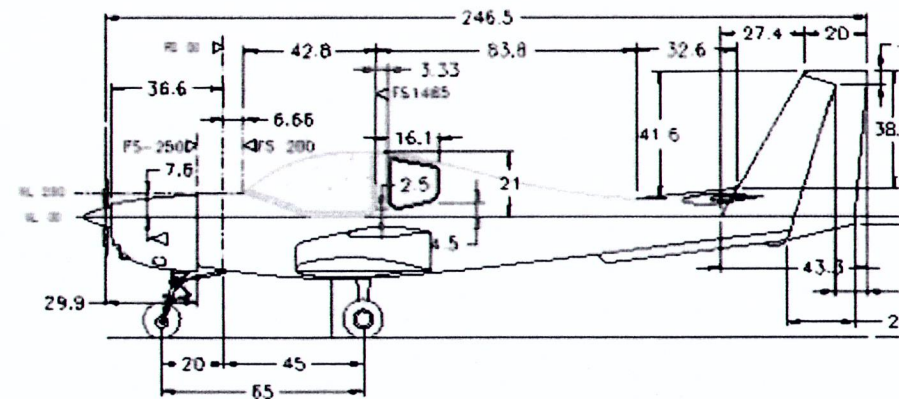

17/02/2022
Stores & Purchase Officer
For and on behalf of CSIR



1:30 scale Hansa NG

Dimensions in red color may be helpful for marking on the physical models to capture the margins.

Dimensions in blue color may be helpful for marking control surfaces



BID-SECURING DECLARATION FORM

Date: _____

Bid No. _____

To (insert complete name and address of the purchaser)

I/We. The undersigned, declare that:

I/We understand that, according to your conditions, bids must be supported by a Bid Securing Declaration.

I/We accept that I/We may be disqualified from bidding for any contract with you for a period of one year from the date of notification if I am /We are in a breach of any obligation under the bid conditions, because I/We

(a)	have withdrawn/modified/amended, impairs or derogates from the tender, my/our Bid during the period of bid validity specified in the form of Bid; or
(b)	having been notified of the acceptance of our Bid by the purchaser during the period of bid validity (i) fail or refuse to execute the contract, if required, or (ii) fail or refuse to furnish the Performance Security, in accordance with the Instructions to Bidders.

I/We understand this Bid Securing Declaration shall cease to be valid if I am/we are not the successful Bidder, upon the earlier of (i) the receipt of your notification of the name of the successful Bidder; or (ii) thirty days after the expiration of the validity of my/our Bid.

Signed: (insert signature of person whose name and capacity are shown)
in the capacity of (insert legal capacity of person signing the Bid Securing Declaration).

Name: (insert complete name of person signing the Bid Securing Declaration)

Duly authorized to sign the bid for an on behalf of: (insert complete name of Bidder)

Dated on _____ day of _____ (insert date of signing)

Corporate Seal (where appropriate)

Note:

1. In case of a Joint Venture, the Bid Securing Declaration must be in the name of all partners to the Joint Venture that submits the bid.
2. Bid Security declaration must be signed in by the Proprietor/CEO/MD or equivalent level of Officer of the company.