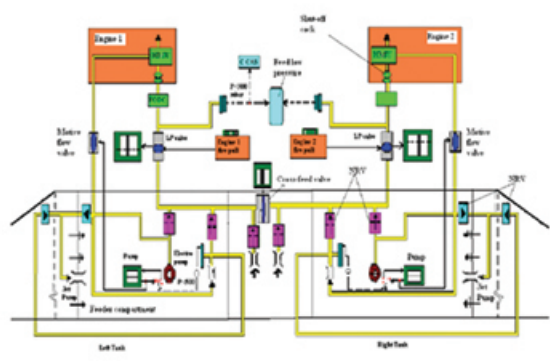


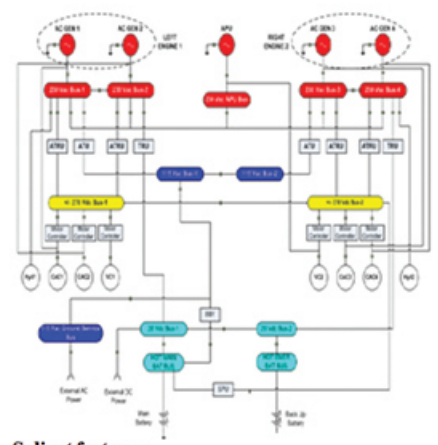


## Fuel System



- Salient features**
- Three integral tanks
  - Total capacity appx 7000 kg

## Electrical system



- Salient features**
- 4 generators
  - 230 V AC/ 115 V AC, 28 V DC
  - Auto-Transformer Rectifier Unit (ATRU)

## Avionics system

