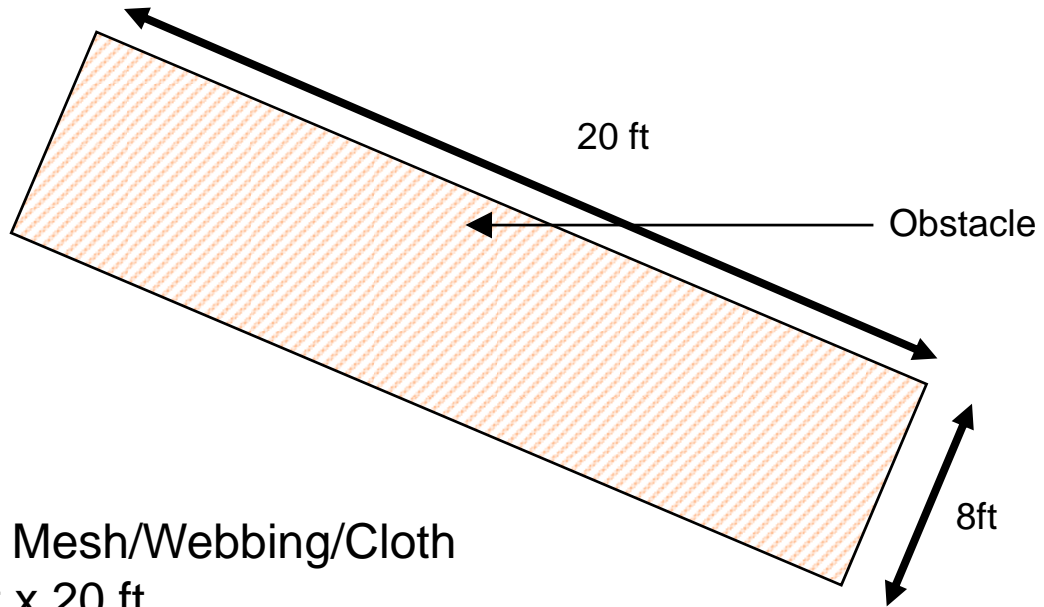


Obstacle Concept



Material: Mesh/Webbing/Cloth

Size: 8 ft x 20 ft

Method of Employment: Staked flat to the ground

Restrictions: No UGV/Commando may pass over any portion of the obstacle.